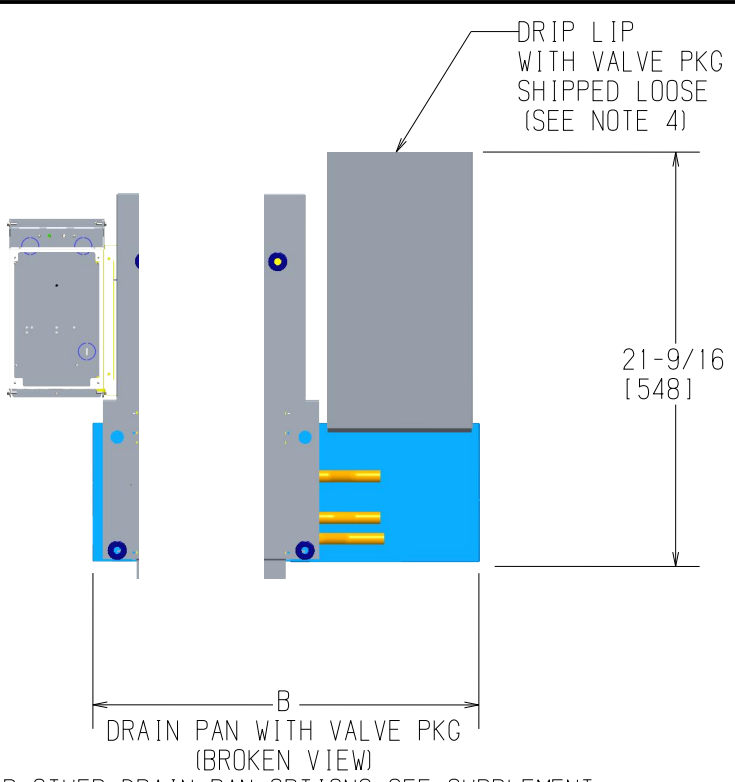
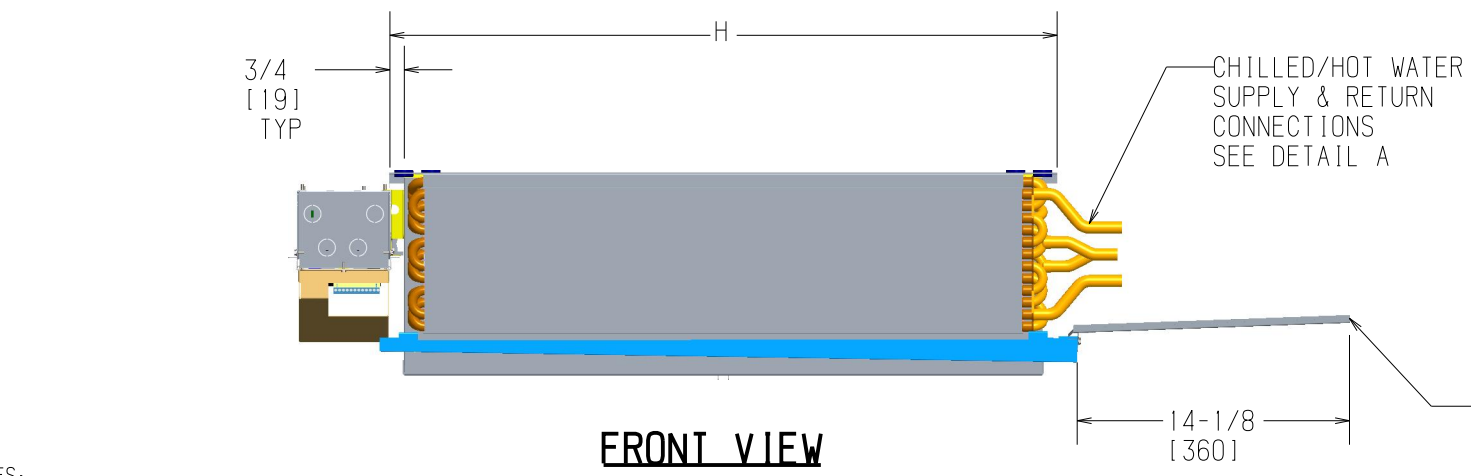
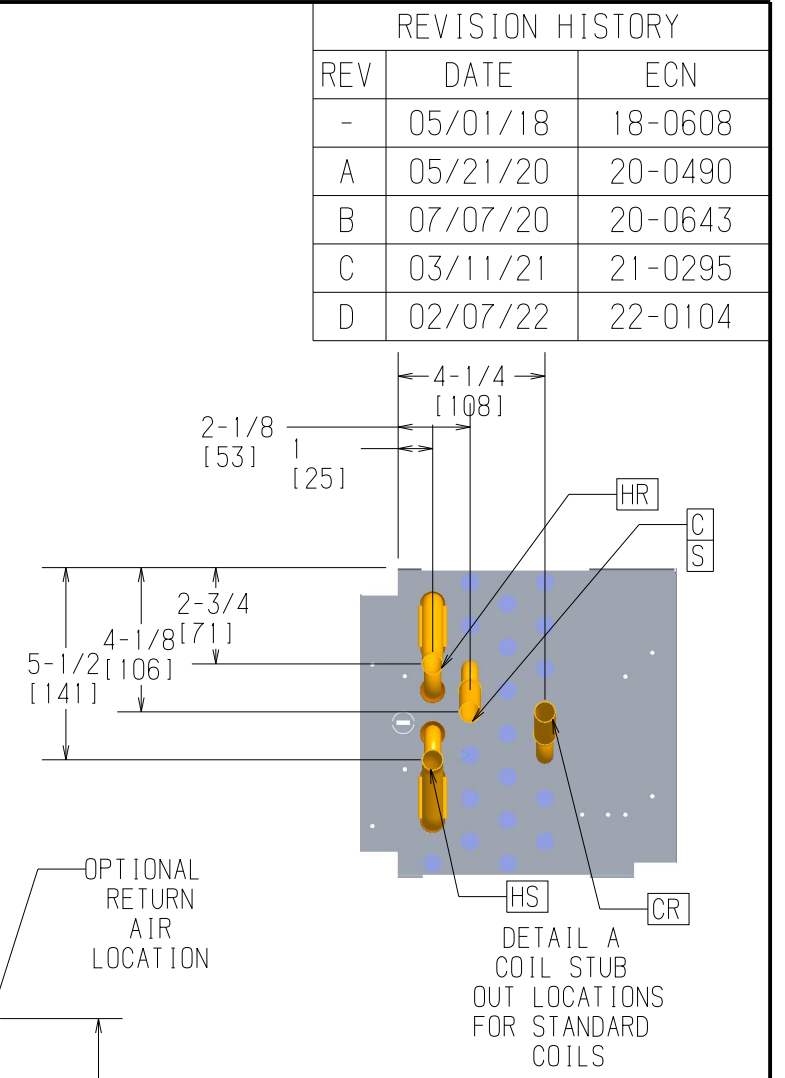


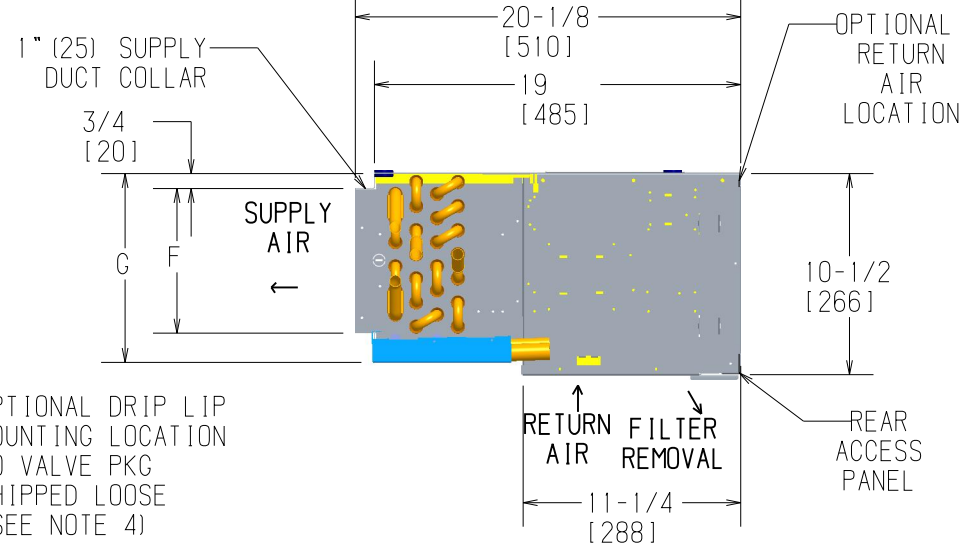
**TOP VIEW**



**\*FOR OTHER DRAIN PAN OPTIONS SEE SUPPLEMENT\***



**FRONT VIEW**



**RIGHT SIDE VIEW**

REVISION HISTORY		
REV	DATE	ECN
-	05/01/18	18-0608
A	05/21/20	20-0490
B	07/07/20	20-0643
C	03/11/21	21-0295
D	02/07/22	22-0104

- NOTES:
1. RH SHOWN, LH OPPOSITE.
  2. ALL DIMENSIONS ARE +/- .25 (6). DRAWING NOT TO SCALE.
  3. PRODUCT SPECIFICATIONS ARE SUBJECT TO CHANGE WITHOUT NOTICE.
  4. DRIP LIP RECOMMENDED. PROVIDED WHEN VALVE PKG IS ORDERED.
  5. CONTROL BOX SIZE AND POSITION MAY VARY (CONSULT FACTORY)
  6. POSITION MAY VARY.
  7. SERVICE ACCESS IS LOCATED ON THE BOTTOM OF THE CONTROL BOX.
  8. KNOCKOUTS ON THE BOTTOM AND SIDE OF THE CONTROL BOX FOR INCOMING POWER CONNECTIONS
  9. TYPICAL SIZE 06 UNIT SHOWN WITH 1-MOTOR AND 2-BLWR - REFER TO TABLE FOR VARIATION.
  10. SEE VALVE PACKAGE SUPPLEMENTAL FOR PIPING TERMINATION.

Unit Model	Dimensions - Inches (Millimeters)										Quantity/Unit	
	A	B	C	E	F	G	H	K	L	BLWR	MOTOR	
CPY 02	21-1/4 (540)	28-1/2 (724)	16 (406)	18-1/4 (464)	6-1/4 (159)	8-3/4 (222)	19-3/4 (502)	15-3/8 (391)	18-1/4 (464)	1	1	
CPY 03	25-1/4 (641)	32-1/2 (826)	20 (508)	22-1/4 (565)	6-1/4 (159)	8-3/4 (222)	23-3/4 (603)	19-3/8 (493)	22-1/4 (565)	1	1	
CPY 04	31-1/4 (794)	38-1/2 (978)	26 (660)	28-1/4 (718)	6-1/4 (159)	8-3/4 (222)	29-3/4 (756)	25-3/8 (654)	28-1/4 (718)	2	1	
CPY 06	36-1/4 (921)	43-1/2 (1105)	31 (787)	33-1/4 (845)	7-1/2 (191)	10 (254)	34-3/4 (883)	30-3/8 (772)	33-1/4 (845)	2	1	
CPY 08	43-1/4 (1099)	50-1/2 (1283)	38 (965)	40-1/4 (1022)	7-1/2 (191)	10 (254)	41-3/4 (1060)	37-3/8 (950)	40-1/4 (1022)	2	1	
CPY 10	57-1/4 (1454)	64-1/2 (1638)	52 (1321)	54-1/4 (1378)	7-1/2 (191)	10 (254)	55-3/4 (1416)	51-3/8 (1306)	54-1/4 (1378)	4	2	
CPY 12	65-1/4 (1657)	72-1/2 (1842)	60 (1524)	62-1/4 (1581)	7-1/2 (191)	10 (254)	63-3/4 (1619)	59-3/8 (1509)	62-1/4 (1581)	4	2	

**TITLE**  
CPY HORIZONTAL HIDEAWAY W/PLENUM

**DWG NO**  
**1100-90041391**

**REV**  
**D**

<b>DRAWN</b> J. FUSON	<b>DATE</b> 2/13/20	<b>APPROVED</b> S. STOTTS	<b>DATE</b> 2/13/20
--------------------------	------------------------	------------------------------	------------------------